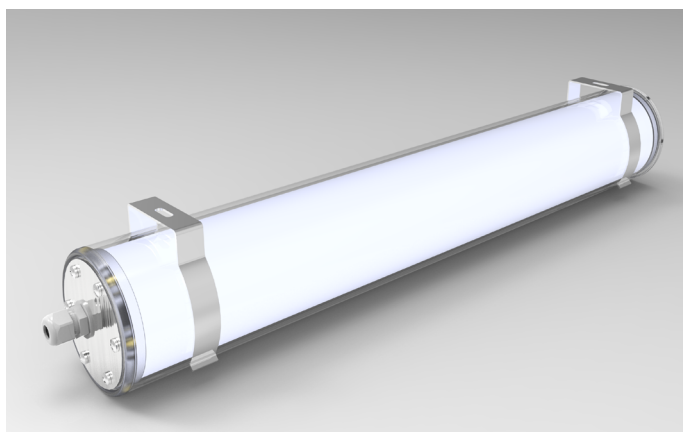


# TEHNIICAL SPECIFICATIONS

## SEAL



LED

IK10

IP67

50°  
-20°

- Standard model - high quality non corrosive linear LED lamp

- Emergency model - standard model with an emergency mode

- Mechanical protection grade IP67, IK10

- Excellent thermal management

- Different mounting options

- Water resistant

- No glare effect

- High lumen output 3 000 lm to 6 500 lm

- Maintenance free

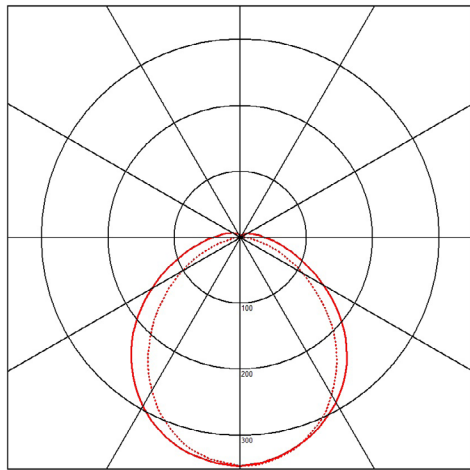
SEAL	650-230-25	1250-230-55
Order No.	standard model - 1001831 emergency model* - 1001833	standard model - 1002201 emergency model* - 1002204
<b>Electrical Characteristics</b>		
Nominal Voltage	230VAC	230VAC
Operating Voltage	100 - 305VAC 110 - 430VDC	100 - 305VAC 110 - 430VDC
Total Power	~25W	~55W
Power Factor	>0.97 at 230VAC	>0.97 at 230VAC
Operating Temperature	-20°C to +50°C	-20°C to +50°C
<b>Light Technology Characteristics</b>		
Initial Total Lumens	3000lm; minimum 450lm in emergency mode	6500lm; minimum 450lm in emergency mode
Emergency Light	2.5h autonomy, 8h charging time, NiCad Battery	
Luminary Efficacy	~120lm/W	
CCT	~5000K	
CRI	80 - 85	
Illumination Angle	120°	
<b>Protection &amp; Construction</b>		
IP and IK Protection	IP67, IK10	
Protections	OVP, OTP	
Luminary Inner Protective Cover	PMMA 2.5mm	
Removable Protective Cover	Polycarbonate 2.5 - 3mm	
Housing	PMMA, PA6, PC, ABS	
Gasket	Silicone gasket	
Cable entry	6 - 13mm	
Fixture Weight	2.1kg, 2.5kg as emergency light option	3.5kg, 3.9kg as emergency light option
Lifespan(on 25°C)	50 000 hours	

\*Emergency model only works on 110VAC or 230VAC, this you choose when ordering.



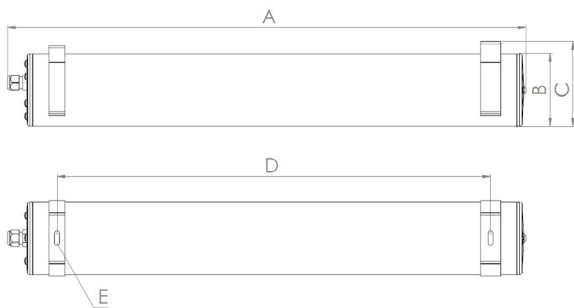
# POLAR CURVE

## SEAL models

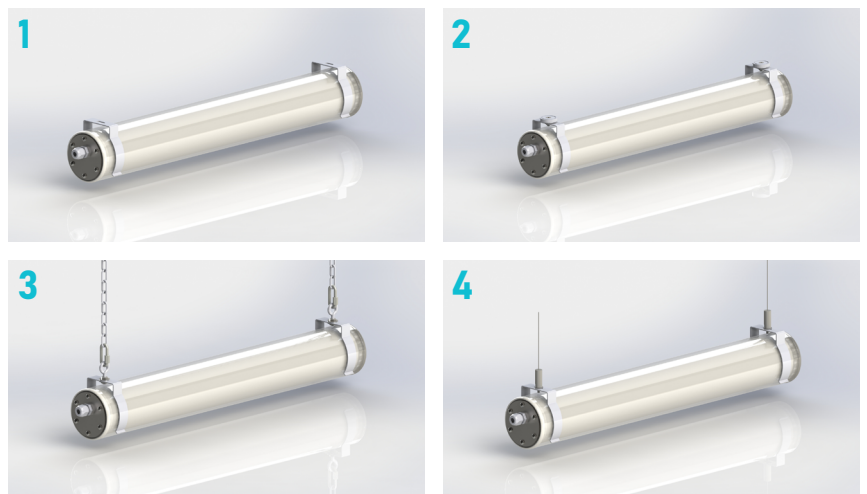


SEAL models	Beam Angle
650-230-25	120°
1250-230-55	120°
650-230-25 EM	120°
1250-230-55 EM	120°

## DIMENSIONS, CONNECTION



Seal	650/650 EM	1250/1250 EM
A	650mm	1250mm
B	ø90mm	ø90mm
C	105mm	105mm
D	400-550mm	1000-1150mm
E	2 x ø6mm	2 x ø6mm



available mounting types in table below

## ACCESSORIES

	<b>Protective Transparent Cover for Seal 650mm</b> 1001962	<b>1</b>	<b>Mounting Bracket with nut and screw</b> 1002032	<b>4</b>	<b>Mounting Bracket with Cable Suspension</b> 1002306
	<b>Protective Transparent Cover for Seal 1250mm</b> 1002305	<b>2</b>	<b>Magnetic Mounting Bracket</b> 1002033		<b>Hook Eye Set</b> 1001856
	<b>Bottom Cap</b> 1001450	<b>3</b>	<b>Mounting Bracket with Chain Suspension</b> 1002037		<b>Custom-made Bracket on Request</b>