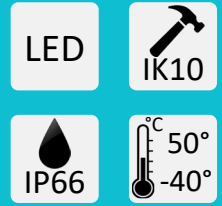
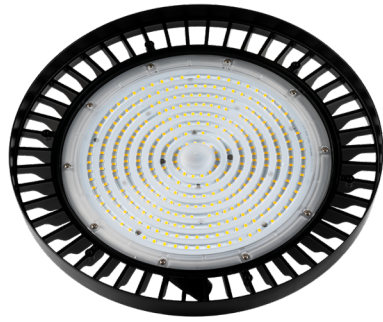


# TEHNICAL SPECIFICATIONS

## HIGH BAY / MARINE LED FLOODLIGHT



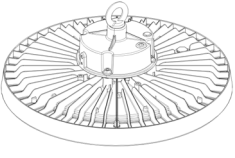
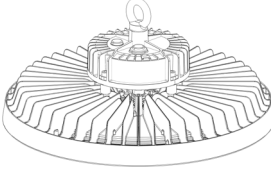
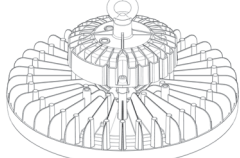
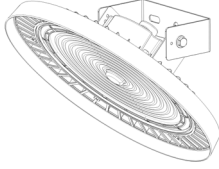
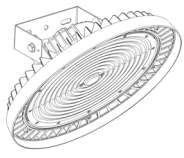
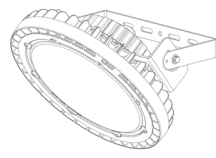
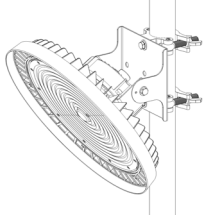
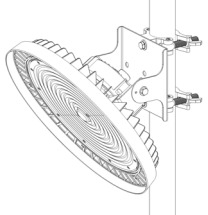
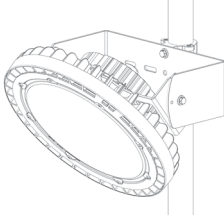
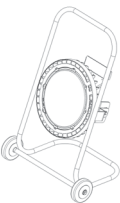
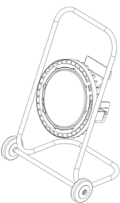
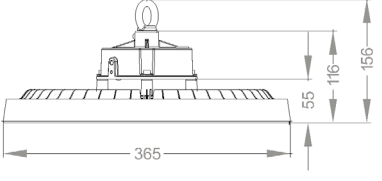
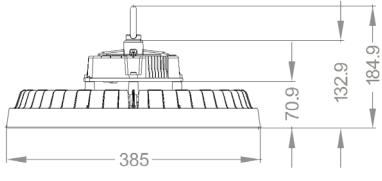
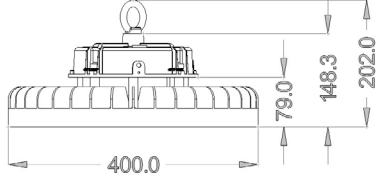
Floodlight	HB365	HB385	MLFL400	
<b>Electrical Characteristics</b>				
Nominal Voltage	110 - 230VAC		42VAC, 110-230VAC	
Operating Voltage	90-305VAC		38-48VAC, 90-305VAC	
	127-300VDC		38-60VDC, 127-300VDC*	
Frequency	50-60Hz			
Power Factor	>0.95			
Rated Power	100-150W	150-200W	130-300W**	
Operating Temperature	-40°C... +50°C		150W	-40°C... +50°C
			200W	+50°C
			250W	-40°C... +40°C
			300W	+40°C
<b>Light Technology Characteristics</b>				
Initial Total Lumens	16000 - 24500lm	22100 - 32700lm	21800 - 49000lm	
Luminary Efficacy	up to 165lm/W			
CCT	5000K (other on request)			
CRI	>80			
Illumination Angle	60°, 90°, 120°			
<b>Protection</b>				
Electrical	OVP, OCP, SCP, OTP			
Input Surge Protection	6kV		6kV (4kV for 300W)	
Mechanical	IP66, IK08	IP66, IK10		
Surface Treatment	Powder Coating	Cataphoresis And Powder Coating		
Protective Cover	Self-adhesive protective PET foil; 0,3mm thick			

- Lighter-weight design for easier installation and maintenance
- Enhanced efficiency and performance
- Housing aluminium alloy with cataphoresis, powder-coated
- Mounted on a cart, scaffold or wall
- Higher power output for superior brightness
- Angles of light beam 60°, 90° and 120°
- Mechanical protection grade IP66, IK10
- High lumen output up to 49 000 lm
- Replaceable protective peel off foil

\* 127-250VDC for 300W version  
 \*\* 130W available only for 42VAC version

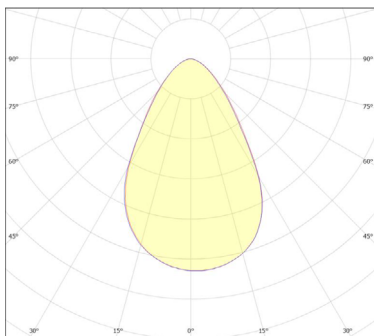


# MOUNTING OPTIONS AND DIMENSIONS

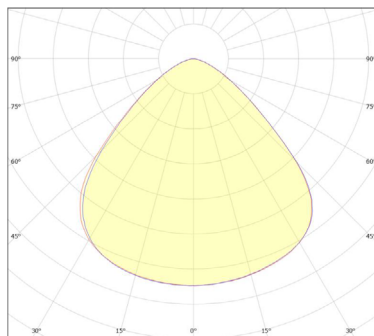
		HB365	HB385	MLFL400
Mounting options	Hook			
	Bracket			
	Scaffold			
	Cart			
Dimensions				

## POLAR CURVE

60°



90°



120°

