



MARINE LED FLOODLIGHT

For shipbuilding, ship repair, dry docks, offshore

A new model of portable flood light designed to meet the highest safety requirements, endurance and quality of work lighting



Changable polycarbonate protective cover

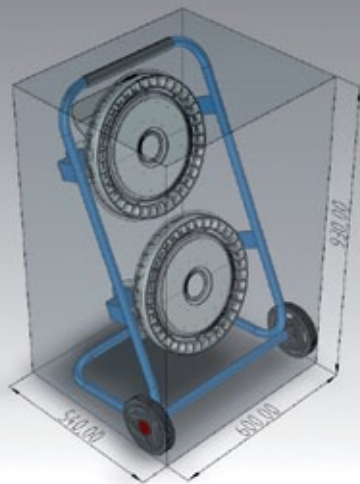
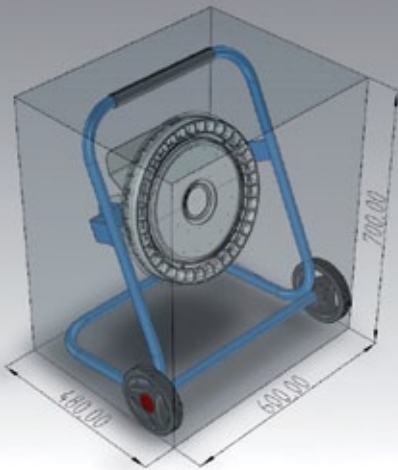
The main advantage of Marine LED Floodlight is an 8 times higher energy efficiency compared to classic incandescent lighting. The lamp is resistant to dust and high pressure jets, has IP66 and IK10 mechanical protection. It has a changable protective polycarbonate with outstanding mechanical characteristics. The lamp can be equipped with different types of lenses; angles of light beam from 30°, 60°, 90° and 120°.

FEATURES

- **High-quality materials** – cast aluminum lamp body and protective cover made of polycarbonate
- Cart with **one or two lamps version**
- **Changable protective polycarbonate cover** protects lamp from dirt, high pressure jet, sandblasting, painting etc.
- **Safe voltage 42VAC** nominal, two-phase connecting
- Luminosity of **16.000lm** per one lamp
- **3 year warranty**

Marine LED Floodlight cart

- Made of steel pipes electro plated, equipped with two ball bearing wheels
- Upper handle is coated with rubber for easier handling
- The back of the trolley is equipped with a special cable holder
- Trolley is equipped with a connection cable 3 x 4mm²
- Lamps can be individually tilted vertically in the desired direction



TECHNICAL SPECIFICATIONS | MARINE LED FLOODLIGHT

Electrical Characteristics

Operating Voltage	38-48VAC / 56-60Hz (28-70VAC short time tolerable)
Total System Power Consumption	~165W
Power Factor	≥ 0,95 at 42VAC
Total Harmonic Distortion	lthd ~ 20%
Operating Temperature	-40°C to +40°C
IP Rating	IP66

Light Characteristics

Initial Total Lumens	~ 16.000lm
Luminary Efficacy	≥ 100lm/W at 5000K
CCT (Correlated Colour Temperature)	4500K to 5500K
CRI (Colour Rendering Index)	7-80 dependant on LED chip (Only CREE LEDs are used)

Protection, Construction, Dimensions

Protection	Overvoltage, over temperature & IK10
Luminary Inner Protective Cover	Polycarbonate 4mm
Removable Protective Cover	Vacuum formed Polyester 1,5mm (Optionally can be made of PC)
Fixture Body	Cast Aluminum body cataphoresis and powder coating paint; Stainless Steel rear tilting mechanism
Fixture Weight	Each lamp 5,5kg; Cart ~ 6kg
Dimensions	One lamp version: W500 x H800 mm Two lamp version: W500 x H900 mm

Marine LED Floodlighting provides

- High reliability of lighting in the hardest working conditions
- Increased productivity due to high-quality illumination
- Highest level of work safety in accordance with the CENELEC norm HD63751
- Long life span > 50.000 working hours
- Specially designed custom power supply optimized for low voltage power line
- Practical and easy to use
- No maintenance



DATA LINK d.o.o. Bjelovar
Blajburških žrtava 16, 43000 Bjelovar – Croatia

Phone: +385 (0)43 211 111; Fax: +385 (0)43 211 100
E-mail: info@datal.com

Zagreb Office - Emporion centre
Heinzlova ulica 62/2, 10000 Zagreb – Croatia

Phone: +385 (0)1 6396 307

www.datal.com